

Jeremiah Lighting

ASSEMBLY & INSTALLATION INSTRUCTIONS FOR #25233

Please read carefully and save these instructions, as you may need them at a later date.

CAUTION

Turn off the main power at the circuit breaker before installing the fixture, in order to prevent possible shock.

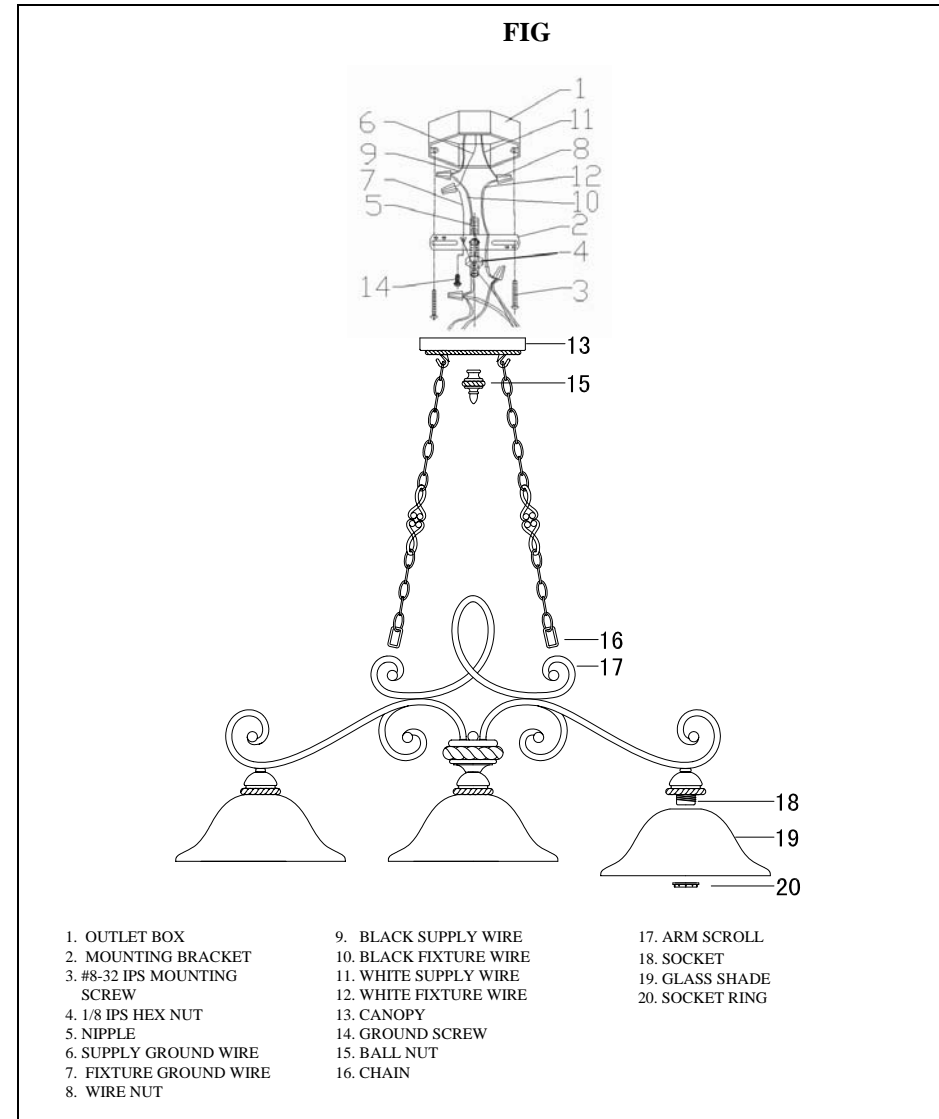
GENERAL

All electrical connections must be in accordance with local and National Electrical Code (N.E.C.) standards. If you are unfamiliar with proper electrical wiring connections obtain the services of a qualified electrician.

Remove the fixture and the mounting package from the box and make sure that no parts are missing by referencing the illustrations on the installation instructions.

ASSEMBLY AND INSTALLATION

1. Thread the 1/8" IPS HEX NUT (4) onto the NIPPLE (5), and screw the NIPPLE (5) into the MOUNTING BRACKET (2), without tightening the 1/8" IPS HEX NUT (4).
2. Pull the power supply wires out from the OUTLET BOX (1), and mount the MOUNTING BRACKET (2) to the OUTLET BOX (1), using #8-32 IPS MOUNTING SCREWS (3).
3. Loop the CHAIN (16) onto the hook attached to the CANOPY(13) and the ARM SCROLL(17). (see Fig)
4. Attach the power supply wires to the fixture lead wires by connecting the BLACK(SMOOTH) FIXTURE LEAD WIRE (10) to the BLACK SUPPLY WIRE (9), and the WHITE(RIBBED) FIXTURE LEAD WIRE (12) to the WHITE SUPPLY WIRE (11) using WIRE NUTS (8). Loop the FIXTURE GROUND WIRE (7) around the GROUND SCREW (14) of the MOUNTING BRACKET (2). Connect the remaining FIXTURE GROUND WIRE (7) to the SUPPLY GROUND WIRE (6) using a WIRE NUT (8). Place wiring and connections inside the OUTLET BOX (1).
5. Place the CANOPY (13) of the fixture over the OUTLET BOX (1) so that the NIPPLE (5) protrudes out through the mounting hole located in the center of the CANOPY (13) no less than 1/4". Remove the CANOPY (13) and secure the position of the NIPPLE (5) by tightening the 1/8" IPS HEX NUT (4) against the MOUNTING BRACKET (2). Place the CANOPY (13) back onto the NIPPLE (5), and secure into place using the BALL NUT (15) provided.
6. Slide the GLASS SHADE(19) over the SOCKET(18), secure with the SOCKET RING(20).
6. Screw light bulbs into the lamp sockets and make sure they do not exceed the maximum wattage specified on the fixture's wattage rating label, **MAXIMUM 100W.**



INSTALLATION IS NOW COMPLETED