

Olivier Ceiling Fans

CRAFTMADE
P.O. Box 1037
650 S. Royal Lane, Suite 100
Coppell, TX 75019
(800) 486-4892
8:00 To 5:00 CST (Central Standard Time)
Toll Free Fax: (877) 304-1728
email: customerservice@craftmade.com
www.craftmade.com

CRAFTMADE
P.O. Box 1037
650 S. Royal Lane, Suite 100
Coppell, TX 75019 EE.UU.
(800) 486-4892
8:00 A 5:00 CST (Hora local central)
Número de fax sin cargo: (877) 304-1728
Correo electrónico: customerservice@craftmade.com
www.craftmade.com

CRAFTMADE
P.O. Box 1037
650 S. Royal Lane, Suite 100
Coppell, TX 75019 EE.UU.
de 8 heures à 17 heures (Heure standard du centre)
Numéro de télécopieur gratuit : (877) 304-1728
Email: customerservice@craftmade.com
www.craftmade.com



OV70

Installation Instructions
Instrucciones de instalación
Instructions d'installation

CRAFTMADE
air • light • sound

1

Read and Save These Safety Precautions

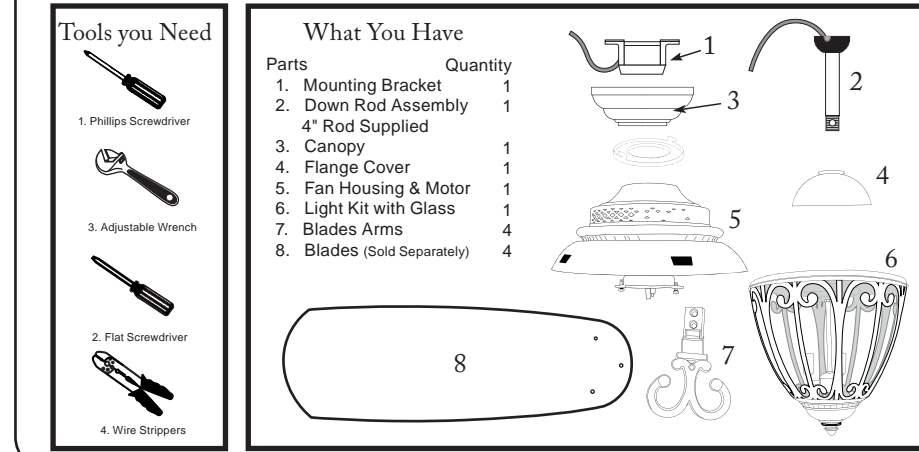
1. Turn off electricity at main switch before wiring or servicing fan in order to avoid possible electrical shock.
2. All wiring must be in accordance with the National Electric Code (ANSI/NFPA70-1999) and local electrical codes. Electrical installation should be performed by a qualified licensed electrician.
3. After making the wire connections, the wires should be spread apart with the grounded conductor and the equipment-grounding conductor on the one side of the outlet box and the ungrounded conductor on the other side of the outlet box.
4. The splices after being made should be turned upward and pushed carefully up into the outlet box.
5. Conductor of a fan identified as grounded conductor to be connected to grounded conductor of power supply, conductor of a fan identified as ungrounded conductor to be connected to an ungrounded conductor of power supply, conductor of fan identified for equipment grounding to be connected to an equipment-grounding conductor.
6. Fan should not be mounted in an area where it might get wet.
7. To reduce the risk of fire, electric shock or personal injury, mount to outlet box marked "Acceptable for Fan Support" and use mounting screws provide with the outlet box.
8. For safety and best operating results, we recommend that you have a qualified electrician assemble and install your fan.
9. **WARNING:** To reduce the risk of fire or electric shock, do not use this fan with any solid state speed control device.
10. To reduce the risk of personal injury, do not bend the blade brackets when installing the brackets, balancing the blades or cleaning the fan. Do not insert foreign objects in between rotating fan blades.

2

Before Assembly

1. Make sure that the fan voltage (120) is compatible with your own electrical system.
2. Check to make sure that your carton contains all the parts mentioned in the parts list.
NOTE: The box can be used as a work space to prevent any damage on the ornamental surface.
CAUTION: Before installing, choose a location for mounting the fan where the blades have at least 7 feet of clearance from all objects and floor. Mount an outlet box to the ceiling or use an existing box
CAUTION: Do not mount fan to sheet rock or drywall type materials. To insure proper support, use the two #1 wood screws to secure mounting bracket to joist or beam. If the location you choose does not have a suitable support beam, install a 2"x 4" brace between ceiling joists to support.

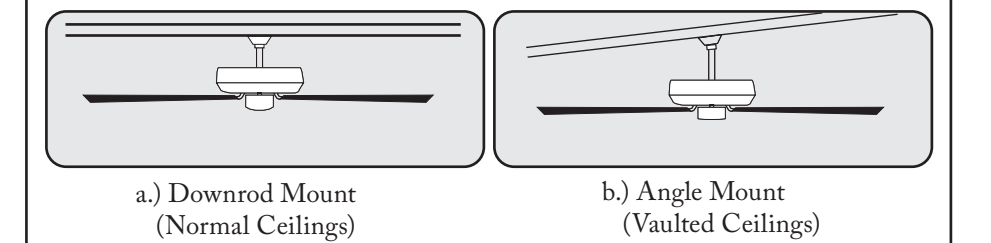
Screw Package	Quantity	Hardware
S1. Wood Screws & Washers	2	1
S2. Screws (for Canopy)	3	1
S3. Bracket Screws & Washers	2	1
S4. Blade Screws	3	1
S5. Wire Connectors	3	1
S6. Safety Bolt & Nut	1	1
S7. "J" Hook	1	1
S8. Zip Tie	1	1



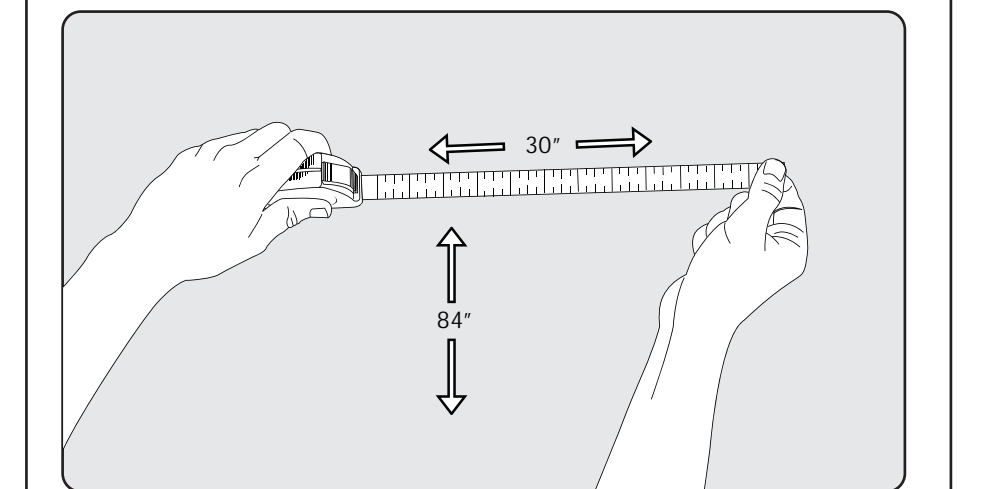
3

Turn off circuit breakers and wall switch to the fan supply line leads.

Preparation Important: When using an existing outlet box, be sure the box is securely attached to the building structure and can support the full weight of the fan. Failure to do so can result in serious injury or death.



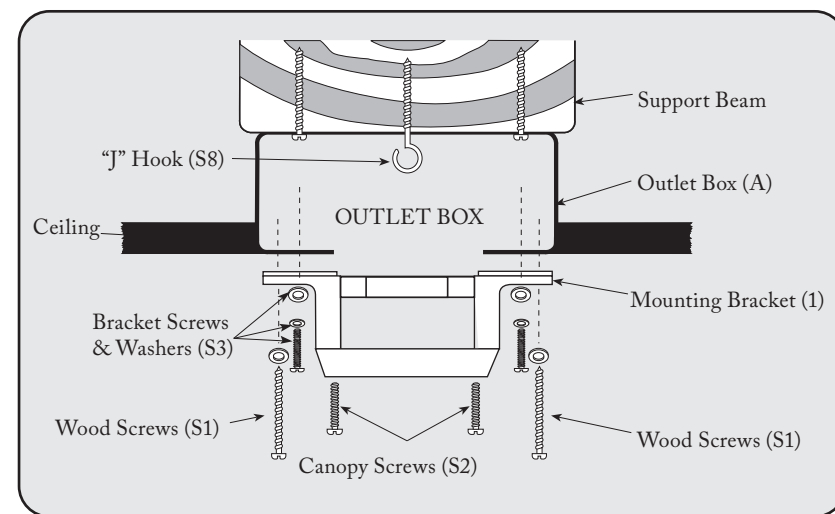
IMPORTANT: If using the angle mount method, check to make sure the ceiling angle is not steeper than 35°. Angles greater than 35° will require a 45° angle adapter.



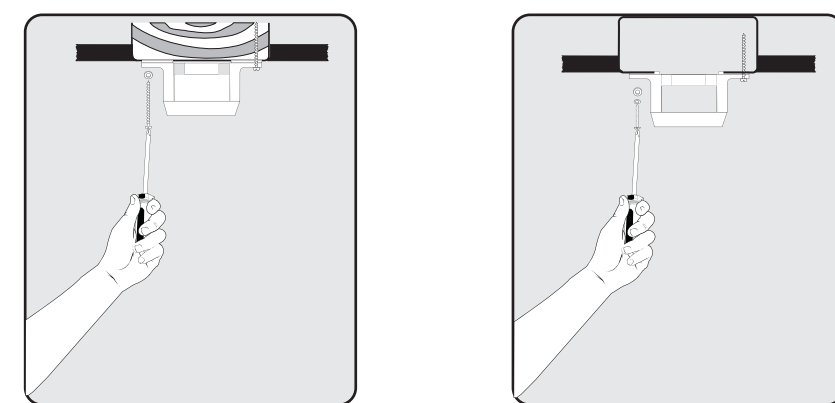
- Check to make sure blades are at least 30" from any obstruction.
- Check Down rod Length to make sure blades are at least 7' above the floor.

4

Installing Mounting Bracket



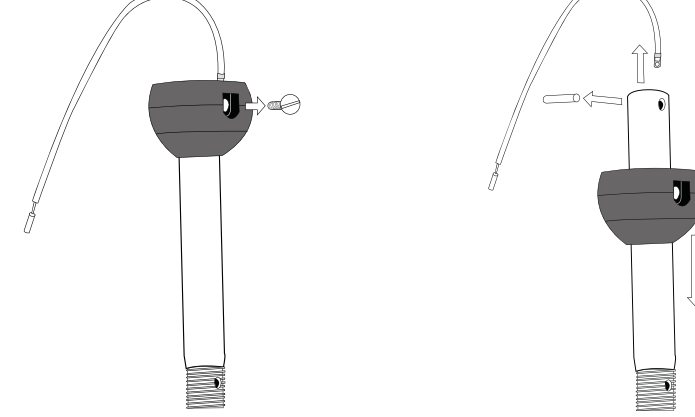
NOTE: Do not mount directly to sheet rock or ceiling tile.



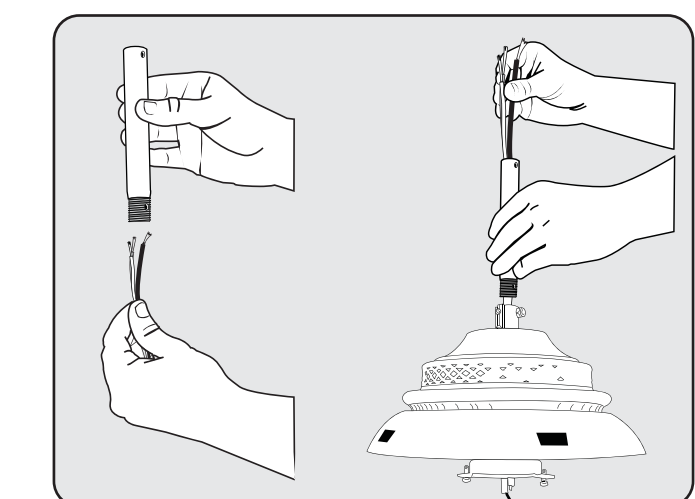
Prior to securing mounting bracket, screw "J" hook (S8) into ceiling outlet box as a secondary support means. Secure mounting bracket (#1) to the outlet box (A) by tightening bracket screws & washers (S3) as shown. If not mounting to an outlet box, use wood screws (S1) and washers (S3) and mount securely to ceiling beam. Be sure at this point to insert canopy screws (S2) in bracket.

5

Downrod Assembly



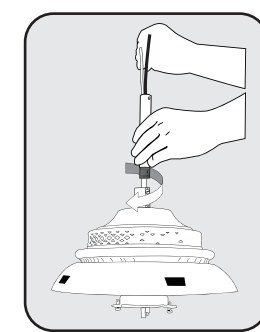
Locate downrod assembly (#2). Loosen ball screw on black hanging ball to free lock pin. Black hanging ball will slide down. Remove ground screw and green ground wire. Remove hanging ball from downrod and save all parts.



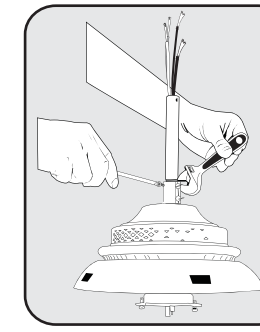
Insert fan wires through downrod.

6

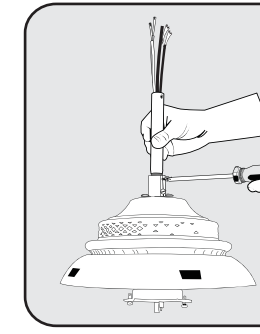
Attaching Downrod to Motor Housing



Thread the downrod onto the motor housing making sure the wires don't get twisted.

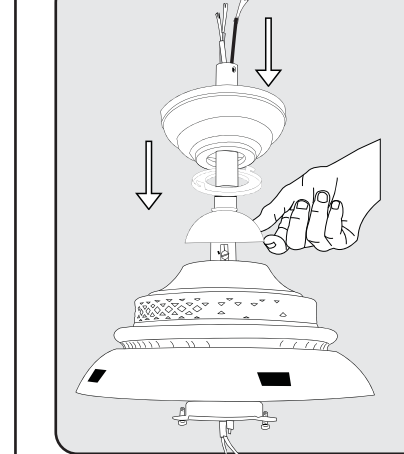


Insert safety bolt (S7) through flange & downrod and attach nut. Tighten firmly.



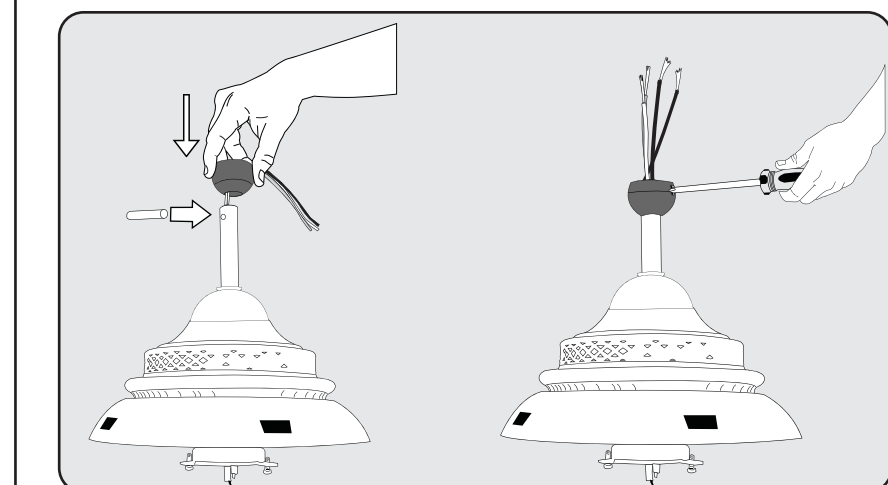
Tighten set screw (A) against downrod.

7



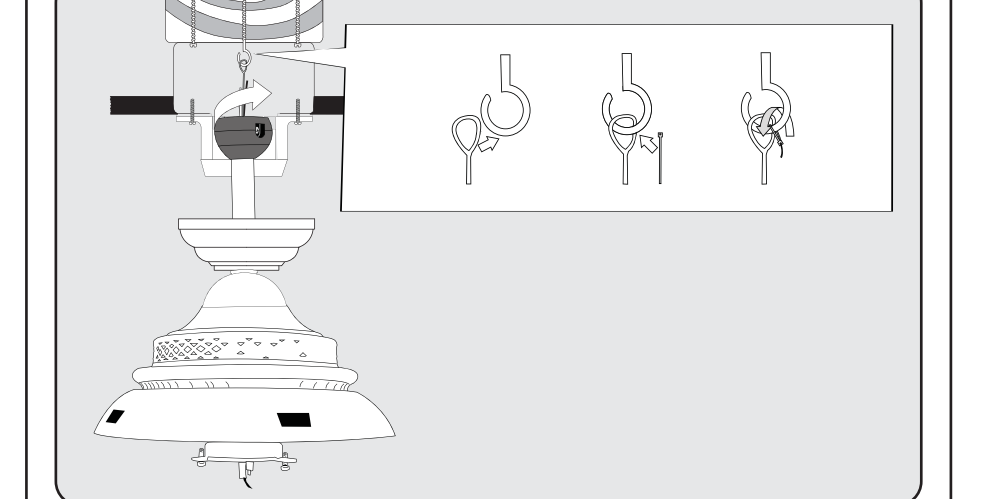
Place flange cover (4) over downrod assembly. Attach antenna wire to flange cover. Place canopy screw cover over downrod. Place canopy (3) over downrod (2).

WARNING: Failure to completely tighten downrod as described in steps above could result in the fan loosening and possibly falling.



Replace hanging ball, insert hanging pin through downrod and tighten set screw "C" in hanging ball into downrod.

8

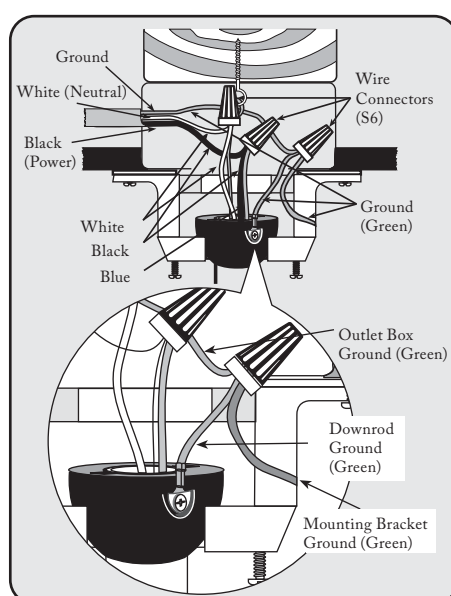


Lift fan onto the mounting bracket (#1). Turn housing until hanging ball seats itself into ball socket (listen for click).

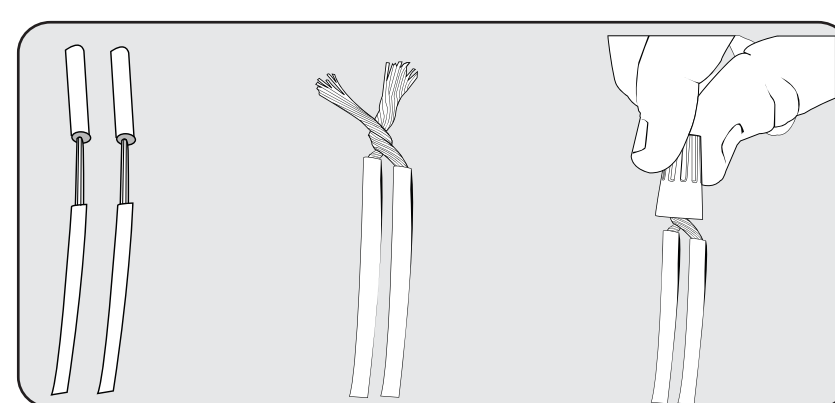
For added security, attach safety cable from fan unit to "J" hook (S8) in outlet box. Secure by looping zip tie (S9) through safety cable and "J" hook. Tighten zip tie securely.

WARNING: To reduce the risk of fire, electric shock or personal injury, mount so outlet box marked "acceptable for fan support" and use mounting screws provided with the outlet box. Most outlet boxes commonly used for the support of lighting fixtures are not acceptable for fan support and may need to be replaced. Consult a qualified electrician if in doubt.

9

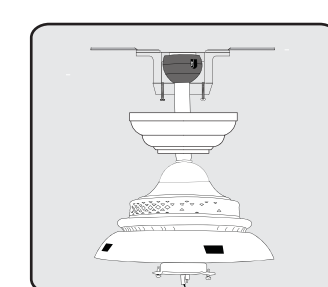


1. Connect fan wires to ceiling wires: white fan wire to white outlet wire, black to black and green to green. Wire connectors (S6) are provided for your convenience. If an additional blue wire is present then also connect the blue wire to the black wire. (Optional light kit may be wired to individual wall switches, if desired.)
2. After connections are made with wire connectors, turn splices upward and push carefully into outlet box. Separate blue and black wires on one side of the box, and white and green wires on the other side.

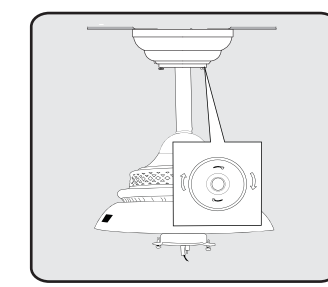


There are up to 4 colored wires coming from the top of the motor (including ground wire).

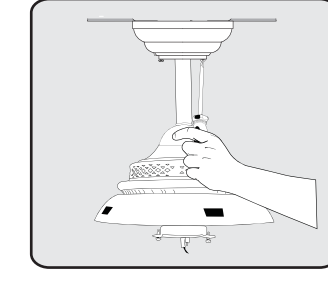
10



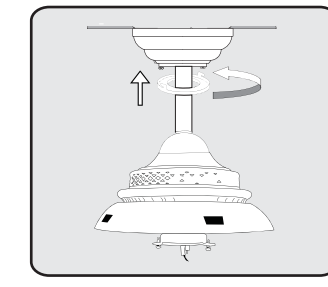
Attach canopy (3) to the mounting bracket by placing screws (S2) into slot in canopy.



Twist clockwise to lock into place.

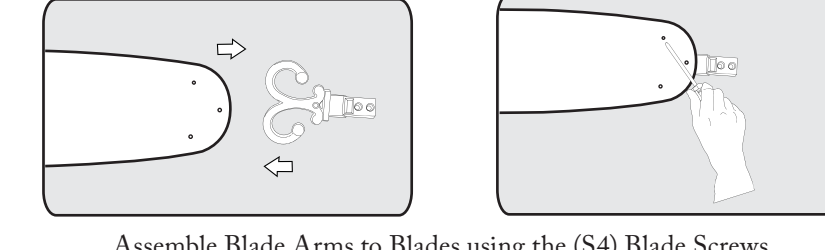


Tighten screws firmly.

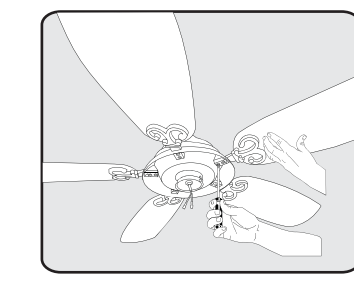


Seat the canopy screw cover into slots and twist to lock.

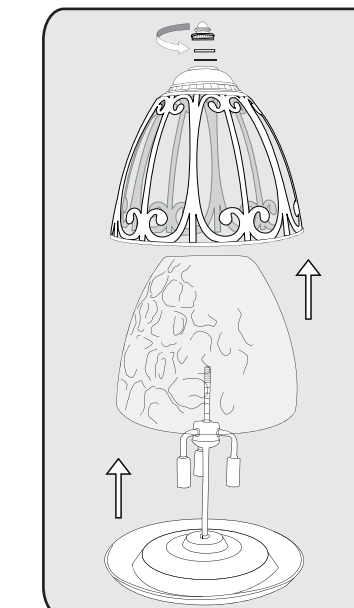
11



Assemble Blade Arms to Blades using the (S4) Blade Screws.

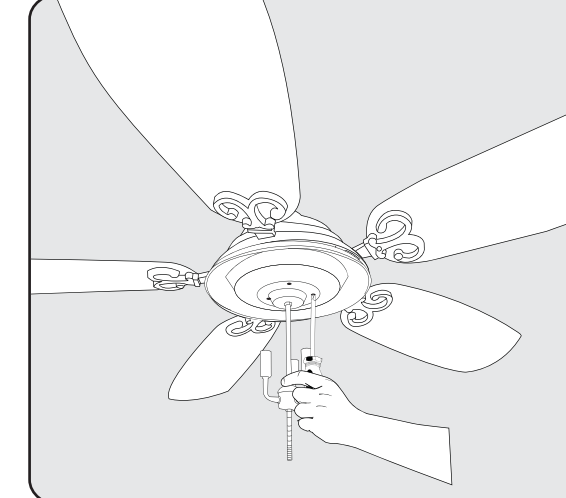


Slide the blades into place, support and attach with motor screws.

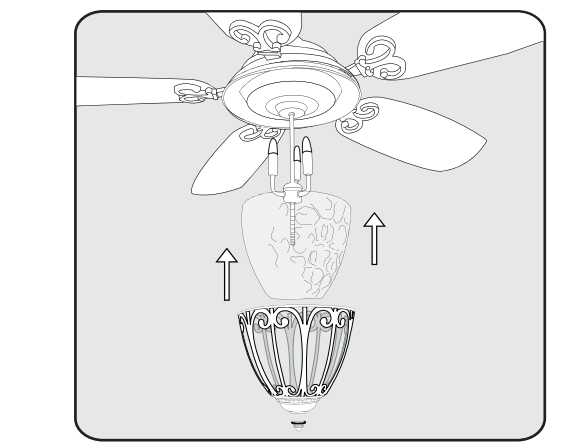


Disassemble the light kit. First, unscrew the decorative finial followed by the small hex nut. Remove rubber washer. Next carefully lift the light kit cage from the fitter base. Now carefully remove the light kit glass and set in a safe place until later.

12



Screw in candelabra light bulbs. (included) Attach light kit fitter using the 3 screws (Supplied).



Reattach the light kit glass, light kit cage, rubber washer, small hex nut and decorative finial.

13

Trouble Shooting

- Problem A: Fan Will not Start**
Solutions:
1. Check fuse or circuit breaker and replace if necessary
2. Turn off electrical power and check all wire connectors.
3. Check on/off TCS and wall control selector switch. See operation instructions.
- Problem B: Fan is Excessively Noisy**
Solutions:
1. Check that all screws in fan assembly are tight and properly seated.
2. Check to make sure mounting bracket is installed properly.
3. Check to make sure light kit and glass reinstalled properly and tight.
4. If wall control is used, insure the wall control is not a transformer or a variable speed type.
- Problem C: Fan Wobbles**
Solutions:
1. Check that all blades are screwed firmly into blade holders.
2. Check that all blade holders are screwed firmly into motor.
3. Check the weight of blades. All our blades are weighed on electronic scales. The weight is marked on the reverse side of the fan blade near the motor end. All of the blades should be the same weight to prevent fan from wobbling.
4. A balancing kit is enclosed if needed.