

C R A F T M A D E
air • light • sound

P.O. Box 1037
650 S. Royal Lane, Suite 100
Coppell, TX 75019

(800) 486-4892
8:00 to 5:00 CST (Central Standard Time)
Toll Free Fax: (877) 304-1728

email: customerservice@craftmade.com
www.craftmade.com

C R A F T M A D E
air • light • sound

P. O. Box 1037
650 S. Royal Lane, Suite 100
Coppell, TX 75019 EE.UU.

(800) 486- 4892
8:00 a 5:00 CST (Hora local central)
Número de fax sin cargo: (877) 304-1728

Correo electrónico:
customerservice@craftmade.com
www.craftmade.com

C R A F T M A D E
air • light • sound

P. O. Box 1037
650 S. Royal Lane, Suite 100
Coppell, TX 75019 EE.UU.

de 8 heures à 17 heures (Heure standard du centre)
Numéro de télécopieur gratuit : (877) 304-1728

Email: customerservice@craftmade.com
www.craftmade.com



Midoro Ceiling Fan

MO56

C R A F T M A D E
air • light • sound

Read and Save These Safety Precautions

1. Turn off electricity at main switch before wiring or servicing fan in order to avoid possible electrical shock.
2. All wiring must be in accordance with the National Electric Code (ANSI/NFPA 70-1999) and local electrical codes. Electrical installation should be performed by a qualified licensed electrician.
3. After making the wire connections, the wires should be spread apart with the grounded conductor and the equipment-grounding conductor on the one side of the outlet box and the ungrounded conductor on the other side of the outlet box.
4. The splices after being made should be turned upward and pushed carefully up into the outlet box.
5. Conductor of a fan identified as grounded conductor to be connected to grounded conductor of power supply, conductor of a fan identified as ungrounded conductor to be connected to an ungrounded conductor of power supply, conductor of fan identified for equipment grounding to be connected to an equipment-grounding conductor.
6. Fan should not be mounted in an area where it might get wet.
7. **WARNING:** To reduce the risk of fire, electric shock or personal injury, mount to outlet box marked "Acceptable for Fan Support" and use mounting screws provide with the outlet box.
8. For safety and best operating results, we recommend that you have a qualified electrician assemble and install your fan.
9. **WARNING:** To reduce the risk of fire or electric shock, do not use this fan with any solid state speed control device.
10. **WARNING:** To reduce the risk of personal injury, do not bend the blade brackets when installing the brackets, balancing the blades or cleaning the fan. Do not insert foreign objects in between rotating fan blades.
11. Please check and make sure that the outlet box is securely installed in place such that it will be able to support at least 16 KG (35 lbs).

Before Assembly

1. Make sure that the fan voltage (120) is compatible with your own electrical system.
2. Check to make sure that your carton contains all the parts mentioned in the parts list.

NOTE: When the motor is taken out of carton, please put it in a soft cloth to prevent any damage on the ornamental surface.

CAUTION: Before installing, choose a location for mounting the fan where the blades have at least 7 feet of clearance from all objects and floor. Mount an outlet box to the ceiling or use an existing box.

CAUTION: Do not mount fan to sheet rock or drywall type materials. To insure proper support, use the two #1 wood screws to secure mounting bracket to joist or beam. If the location you choose does not have a suitable support beam, install a 2"X4" brace between ceiling joists to support.

Tools You Need



1. Phillips Screwdriver



2. Flat Screwdriver



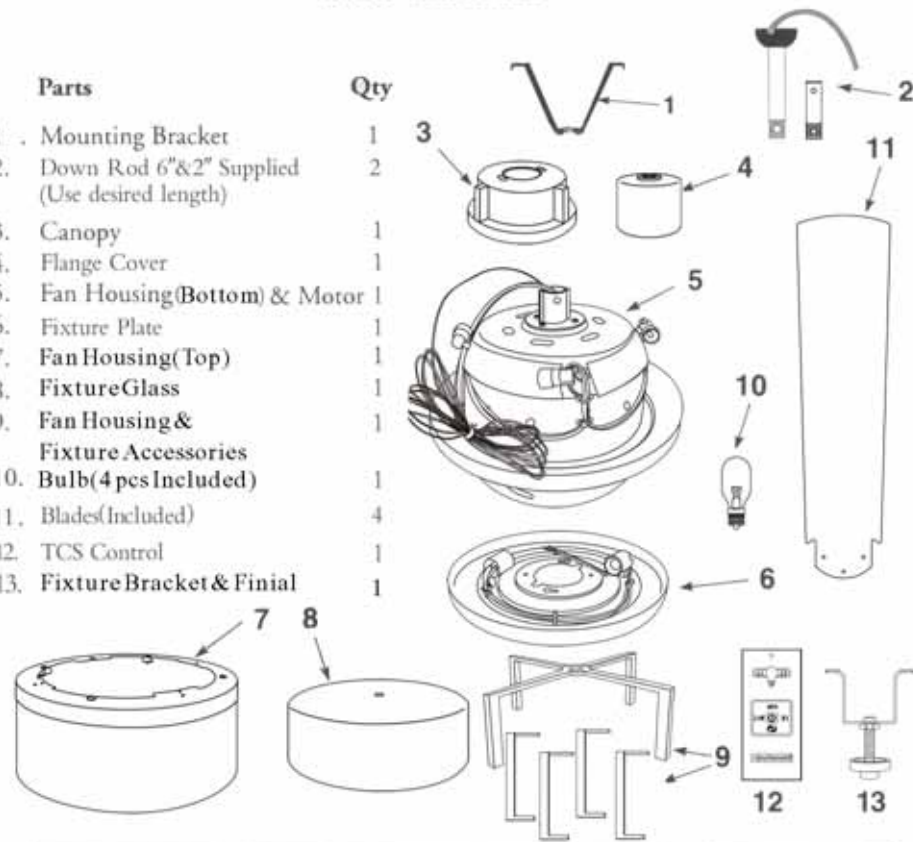
3. Adjustable Wrench



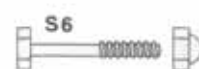
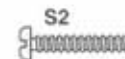
4. Wire Strippers

What You Have

Parts	Qty
1. Mounting Bracket	1
2. Down Rod 6"X2" Supplied (Use desired length)	2
3. Canopy	1
4. Flange Cover	1
5. Fan Housing(Bottom) & Motor	1
6. Fixture Plate	1
7. Fan Housing(Top)	1
8. Fixture Glass	1
9. Fan Housing & Fixture Accessories	1
10. Bulb(4 pcs Included)	1
11. Blades(Included)	4
12. TCS Control	1
13. Fixture Bracket & Finial	1



Parts	Qty
S1. Wood Screws and Washers	2
S2. Screws (for Canopy)	4
S3. Bracket Screws & Washers	2
S4. Blade Screw	13
S5. Wire Connectors	3
S6. Safety Bolt & Nut	1
S7. "J" Hook	1
S8. Zip Tie	1



Preparation

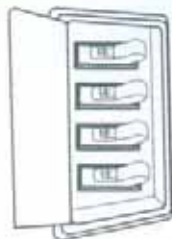
! **Important:** When using an existing outlet box, be sure the box is securely attached to the building structure and can support the full weight of the fan. Failure to do so can result in serious injury or death.

1

Step 1

Turn off circuit breakers and wall switch to the fan supply line leads.

! **Warning:** Failure to disconnect power supply prior to installation may result in serious injury or death. To reduce the risk of shock, this fan must be installed with an isolating wall control/switch.



2

Step 2

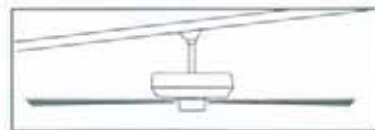
Determine mounting method to use.

- A. Downrod Mount
- B. Angle Mount
Craftmade Part #45AD (see dealer)

IMPORTANT: If using the angle mount method, check to make sure the ceiling angle is not steeper than 35°. Angles greater than 35° will require a 45° angle adapter.



Downrod Installation
(Normal Ceilings)

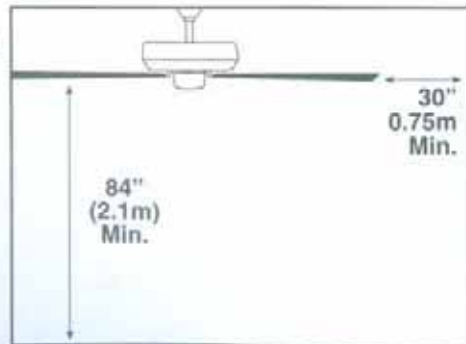


Downrod Installation
(Vaulted Ceilings)

3

Step 3

Check to make sure blades are at least 30" from any obstruction. Check downrod length to ensure blades are at least 7' above the floor.

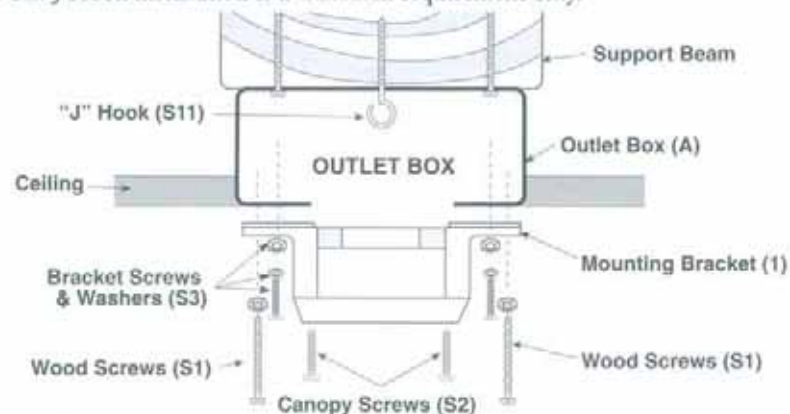


4

Step 4

Prior to securing mounting bracket, screw "J" hook (S11) into ceiling outlet box as a secondary support means. Secure mounting bracket (#1) to the outlet box (A) by tightening bracket screws & washers (S3) as shown. If not mounting to an outlet box, use wood screws (S1) and washers (S3) and mount securely to ceiling beam. **Be sure at this point to insert canopy screws (S2) in bracket.** NOTE: Do not mount directly to sheet rock or ceiling tile.

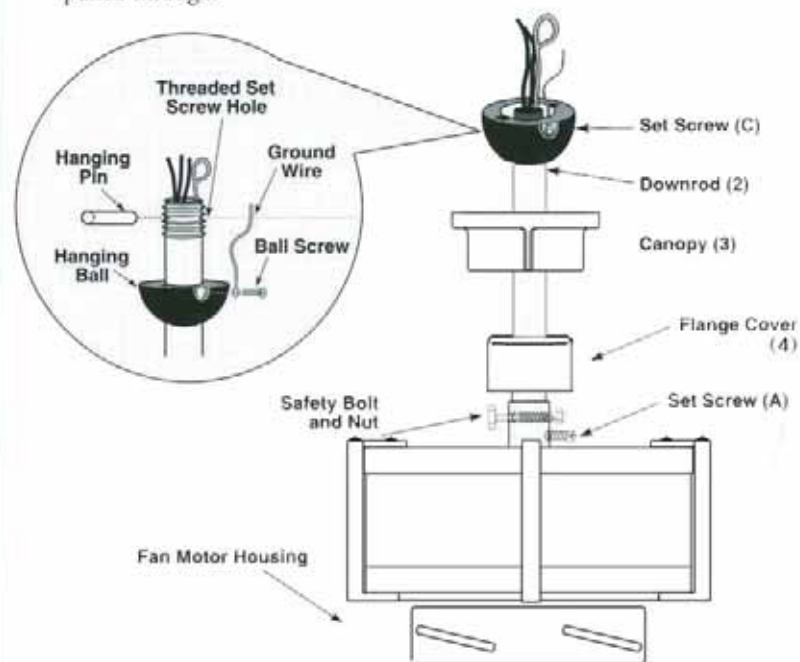
NOTE: J Hook installation is a Canadian requirement only.



5

Step-5 - Standard Down Rod Assembly (Steps 3-7)

Locate Downrod Assembly (#2). Loosen Ball Screw on black Hanging Ball to free lock pin. Black Hanging Ball will slide down. Remove Ground Screw and green Ground Wire. Remove Hanging Ball from Downrod and save all parts. Insert fan wires through Downrod. Screw Downrod into top of Fan Motor Housing, being careful that wires are pulled through.



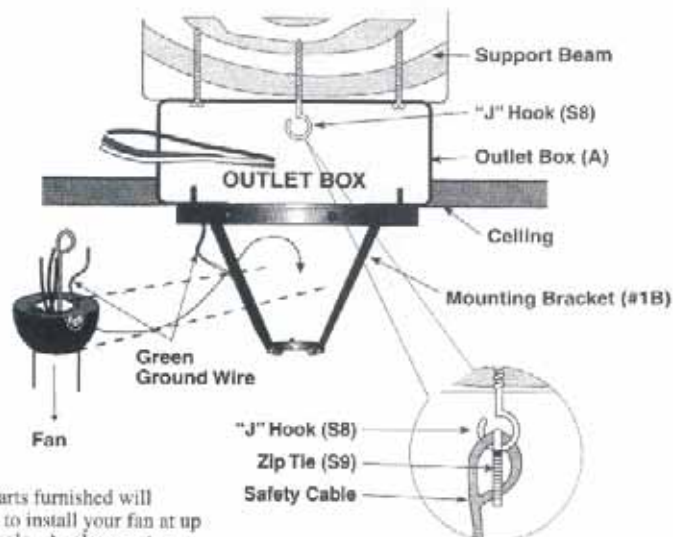
Position downrod (2) so the hole in the downrod aligns with the hole in the motor housing flange. Insert safety bolt (S7) through flange and downrod and attach nut. Tighten firmly. Tighten set screw "A" against downrod. Place flange cover (4) over downrod assembly until it covers flange. Place canopy (3) over downrod. Replace hanging ball, insert lock pin through downrod and tighten set screw "C" through hanging ball into downrod.

WARNING: Failure to completely tighten downrod as described in steps 5 & 6 above could result in the fan loosening and possibly falling.

6

Step 6 - Safety Cable

For added security, attach Safety Cable from fan unit to "J" Hook (S8) in outlet box. Secure by looping zip tie (S9) through Safety Cable and "J" hook. Tighten zip tie securely. Lift fan onto the Mounting Bracket (#1B). Turn housing until Hanging Ball seats itself into Ball Socket (listen for click).



NOTE: Parts furnished will allow you to install your fan at up to a 35° angle. Angles greater than 35° will require a 45° angle adapter (see dealer).

NOTE: "J" Hook installation is a Canadian requirement only.

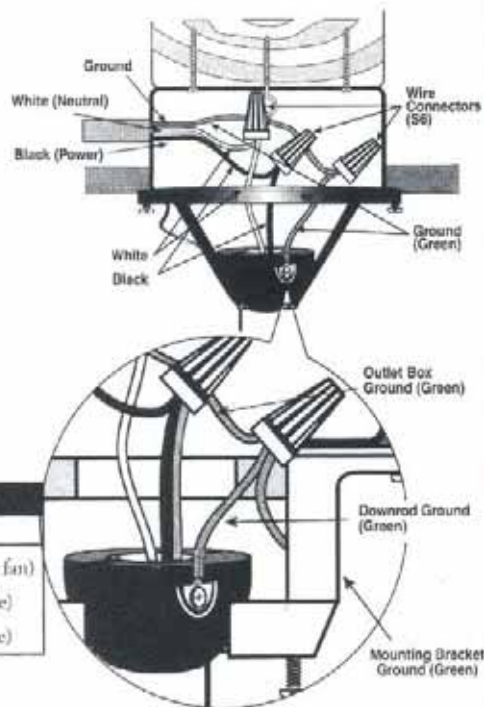
WARNING: To reduce the risk of fire, electric shock or personal injury, mount so outlet box marked "acceptable for fan support" and use mounting screws provided with the outlet box. Most outlet boxes commonly used for the support of lighting fixtures are not acceptable for fan support and may need to be replaced. Consult a qualified electrician if in doubt.

Step 7- Connecting Wires

1. Connect fan wires to ceiling wires: white fan wire to white outlet wire, black to black and green to green. Wire Connectors (S6) are provided for your convenience.

2. After connections are made, turn splices upward and push carefully into outlet box. Separate black wire on one side of the box, and white and green wires on the other side.

There are 3 colored wires coming from the top of the motor (including ground wire).

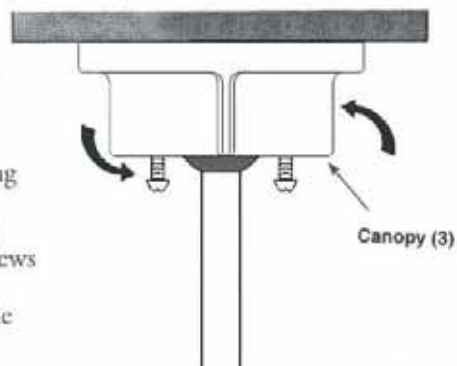


Wire Connections

Outlet Box	Fan wires
Black	Black (Hot wire for fan)
Green	Green (Ground wire)
White	White (Neutral wire)

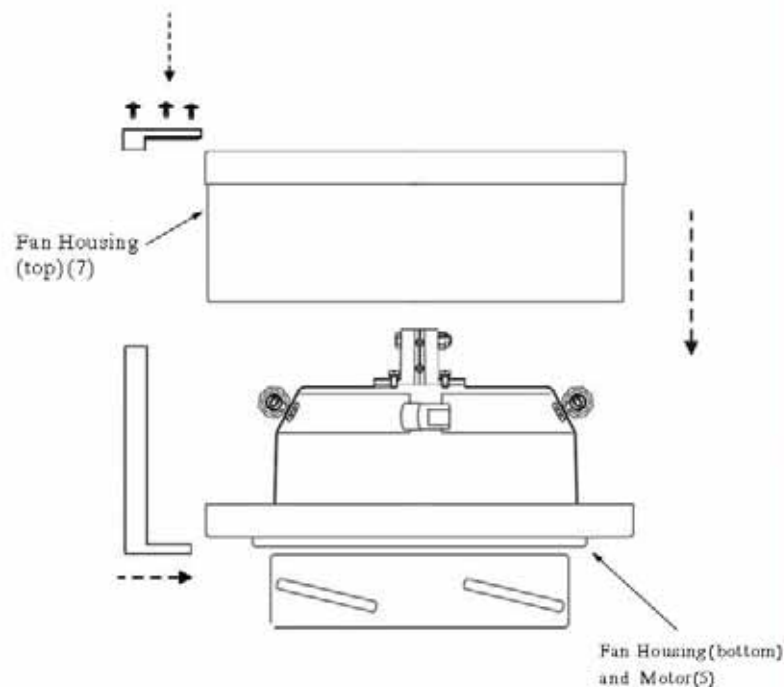
Step 8- Attaching Canopy

Attach Canopy (#3) to the Mounting Bracket by placing Screws (S2) into slot in Canopy. Twist clockwise to lock into place. Tighten Screws firmly. Attach Canopy Decorative Cover (11) to the Canopy (3).



Step 9

Install Fan Housing (top) (7) onto Fan Housing (bottom) and Motor(5) and install decorative fan housing accessories as shown below.

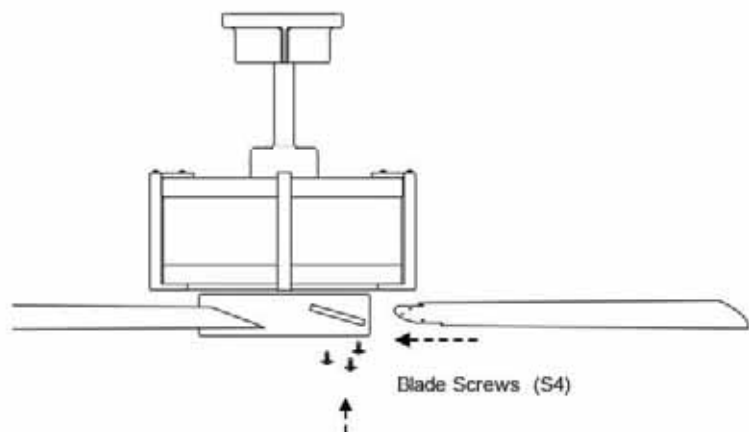


This model utilizes removable decorative fan housing and light kit accessories for your desired look. To install decorative fan housing accessory, place upper and lower arm pieces as shown and attach using included screws (2 per accessory).

10

Step 10 - Blade Assembly

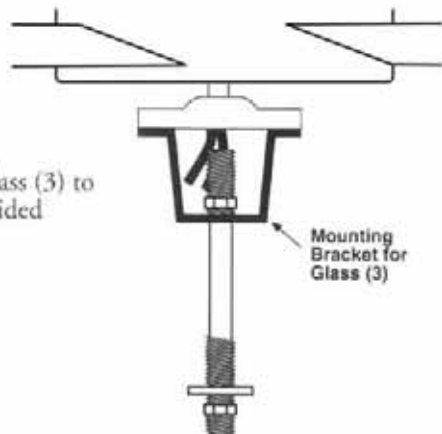
For blade assembly, position blades (9) through motor flywheel so that all screw holes are aligned (as shown in figure below). Using blade screws (S4), insert through bottom of blade into blade mounting bracket and tighten screws securely.



11

Step 11

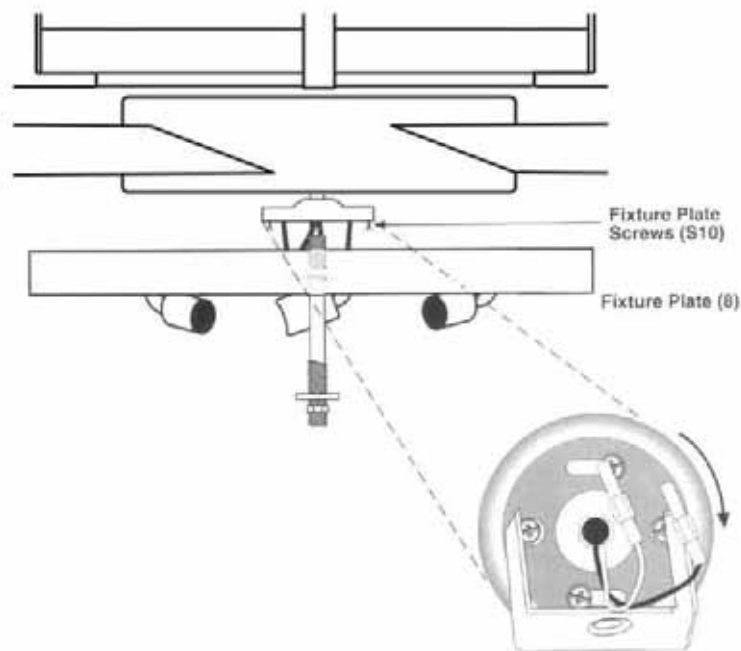
Attach mounting bracket for glass (3) to base of motor with screws provided in parts bag.



12

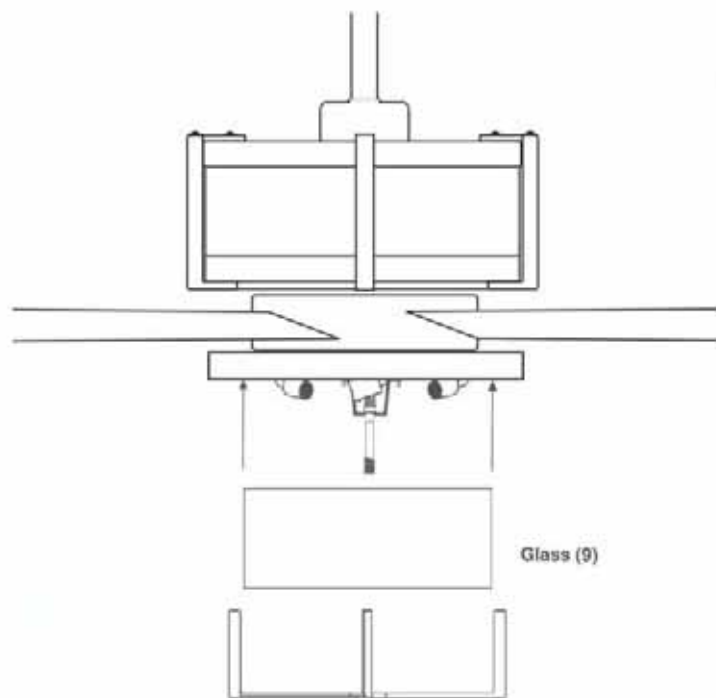
Step 12

Attach two of the fixture plate screws (S10) to fan motor housing base (7) allowing room for fixture plate to be attached. Before attaching fixture plate, attach black wire from fixture plate to black wire on motor housing by connecting plugs together. Next attach white wire from fixture plate to white wire on motor housing. Attach fixture plate (8) to base of motor housing by rotating fixture plate into keyhole slots being careful not to pinch wires. Attach remaining two screws in holes as shown in diagram. Secure all screws firmly.

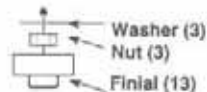


13

Step 13



Glass (9)

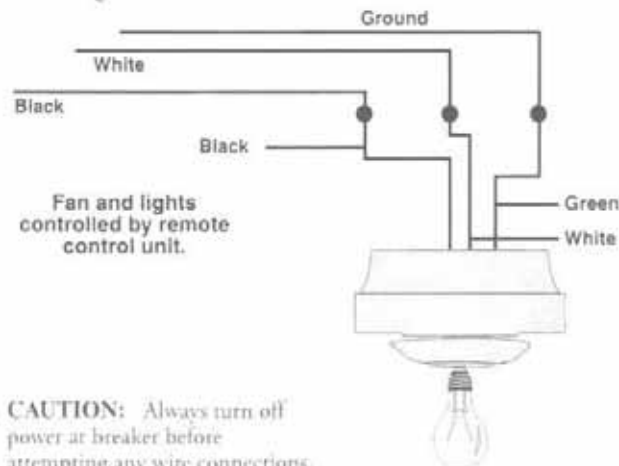


Attach glass (9) to mounting bracket for glass (3) using washer (3), nut (3) and finial (13) as shown in diagram below.

14

Electrical Connections

Connect black fan wires to black outlet wire. Connect white fan wire to white outlet wire and green grounding lead wire from the grounding conductor to the supply circuit (see figure A). Use wire connectors provided with your fan. No loose strands or loose connections should be present. Turn splices upward and carefully push all wiring into outlet box. When wall switches are employed, switches should be UL listed for use with ceiling fan.



CAUTION: Always turn off power at breaker before attempting any wire connections.

Operation Instructions

ON/OFF	For emergency shut off.
HIGH MEDIUM LOW	Controls fan motor speed. To select desired speed, press button once and release
REVERSE	Controls direction of fan blades. To reverse fan blades, press once and release.
FAN OFF	Turns fan motor speed off. Press once to turn off. To start motor speed again, hit one of the motor speed buttons.
L-1	Controls no function on this fan.
L-2	Controls the on/off and intensity for integrated light kit. Push and release for on/off function. Hold down for full range light dimming.
NOTE:	The "High", "Medium" or "Low" buttons may be used to start the fan motor. The speed of the fan may be changed at any time.

Common Problems

Problem A: Fan Will not Start

- Remedies:
1. Check fuse or circuit breaker and replace if necessary
 2. Turn off electrical power and check all wire connectors.
 3. Check on/off TCS and wall control selector switch. See operation instructions.

Problem B: Fan is Excessively Noisy

- Remedies:
1. Check that all screws in fan assembly are tight and properly seated.
 2. Check to make sure mounting bracket is installed properly.
 3. Check to make sure light kit and glass reinstalled properly and tight.
 4. If wall control is used, insure the wall control is not a transformer or a variable speed type.

Problem C: Fan Wobbles

- Remedies:
1. Check that all blades are screwed firmly into blade holders.
 2. Check that all blade holders are screwed firmly into motor.
 3. Check the weight of blades. All our blades are weighed on electronic scales. The weight is marked on the reverse side of the fan blade near the motor end. All of the blades should be the same weight to prevent fan from wobbling.
 4. A balancing kit is enclosed if needed.

Weight: The weight of the complete fan, including assembly hardware is 30.4 lbs.