

# Epic Ceiling Fans



BETTER BY DESIGN  
P.O. Box 1037  
650 S. Royal Lane, Suite 100  
Coppell, TX 75019  
(800) 486-4892  
8:00 a 5:00 CST (Central Standard Time)  
Toll Free Fax: (877) 304-1728

email: customerservice@craftmade.com  
www.craftmade.com



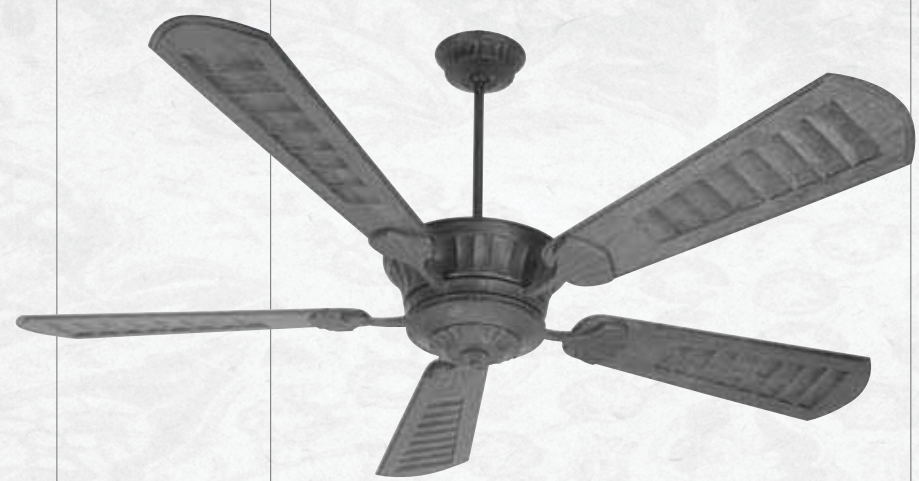
MEJOR DISEÑO  
P. O. Box 1037  
650 S. Royal Lane, Suite 100  
Coppell, TX 75019 EE.UU.  
(800) 486-4892  
8:00 a 5:00 CST (Hora local central)  
Número de fax sin cargo: (877) 304-1728

Correo electrónico: customerservice@craftmade.com  
www.craftmade.com



UNE CONCEPTION EXCEPTIONNELLE  
P. O. Box 1037  
650 S. Royal Lane, Suite 100  
Coppell, TX 75019 EE.UU.  
de 8 heures à 17 heures (Heure standard du centre)  
Numéro de télécopieur gratuit : (877) 304-1728

Email: customerservice@craftmade.com  
www.craftmade.com



DCEP70

Installation Instructions  
Instrucciones de instalación  
Instructions d'installation



1

## Read and Save These Safety Precautions

- Turn off electricity at main switch before wiring or servicing fan in order to avoid possible electrical shock.
- All wiring must be in accordance with the National Electric Code (ANSI/NFPA70-1999) and local electrical codes. Electrical installation should be performed by a qualified licensed electrician.
- After making the wire connections, the wires should be spread apart with the grounded conductor and the equipment-grounding conductor on the one side of the outlet box and the ungrounded conductor on the other side of the outlet box.
- The splices after being made should be turned upward and pushed carefully up into the outlet box.
- Conductor of a fan identified as grounded conductor to be connected to grounded conductor of power supply, conductor of a fan identified as ungrounded conductor to be connected to an ungrounded conductor of power supply, conductor of fan identified for equipment grounding to be connected to an equipment-grounding conductor.
- Fan should not be mounted in an area where it might get wet.
- To reduce the risk of fire, electric shock or personal injury, mount to outlet box marked "Acceptable for Fan Support" and use mounting screws provide with the outlet box.
- For safety and best operating results, we recommend that you have a qualified electrician assemble and install your fan.
- WARNING:** To reduce the risk of fire or electric shock, do not use this fan with any solid state speed control device.
- To reduce the risk of personal injury, do not bend the blade brackets when installing the brackets, balancing the blades or cleaning the fan. Do not insert foreign objects in between rotating fan blades.

2

## Before Assembly

- Make sure that the fan voltage (120) is compatible with your own electrical system.
- Check to make sure that your carton contains all the parts mentioned in the parts list.  
**NOTE:** The box can be used as a work space to prevent any damage on the ornamental surface.  
**CAUTION:** Before installing, choose a location for mounting the fan where the blades have at least 7 feet of clearance from all objects and floor. Mount an outlet box to the ceiling or use an existing box  
**CAUTION:** Do not mount fan to sheet rock or drywall type materials. To insure proper support, use the two #1 wood screws to secure mounting bracket to joist or beam. If the location you choose does not have a suitable support beam, install a 2" x 4" brace between ceiling joists to support.

## Screw Package

- S1. Wood Screws & Washers  
S2. Screws (for Canopy)  
S3. Bracket Screws & Washers  
S4. Blade Screws  
S5. Motor Screws  
S6. Wire Connectors  
S7. Safety Bolt & Nut  
S8. J" Hook  
S9. Zip Tie

## Quantity

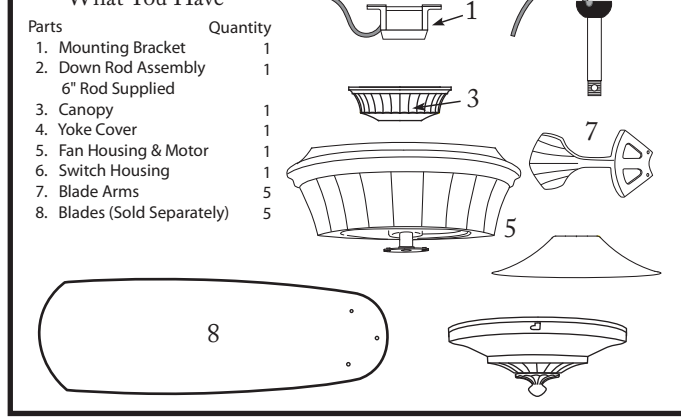
Quantity	Hardware Inventory
2	1
3	1
2	1
16	1
11	1
3	1
1	1
1	1
1	1

## Tools you Need

- Phillips Screwdriver
- Adjustable wrench
- Flat Screwdriver
- Wire Snippers

## What You Have

- | Parts                       | Quantity |
|-----------------------------|----------|
| 1. Mounting Bracket         | 1        |
| 2. Down Rod Assembly        | 1        |
| 3. Canopy                   | 1        |
| 4. Flange Cover             | 1        |
| 5. Fan Housing & Motor      | 1        |
| 6. Switch Housing           | 1        |
| 7. Blade Arms               | 5        |
| 8. Blades (Sold Separately) | 5        |



3

Turn off circuit breakers and wall switch to the fan supply line leads.

## Preparation

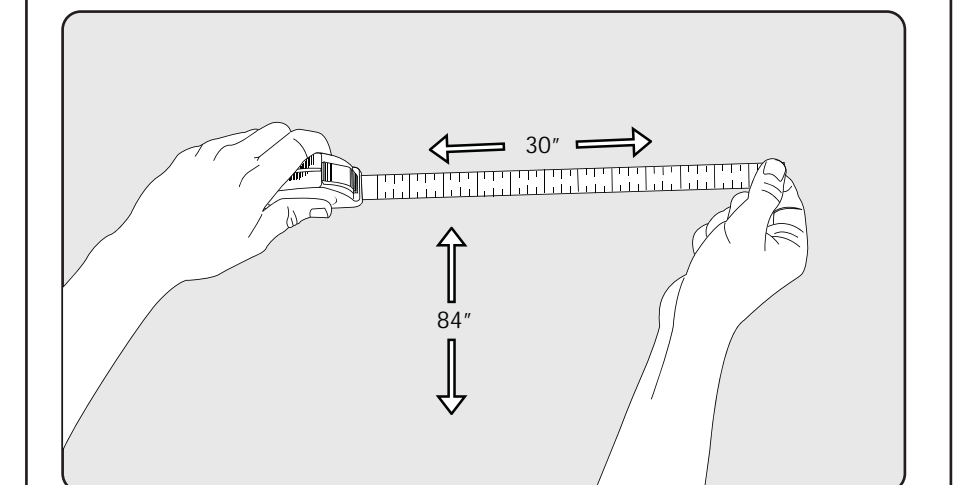
**Important:** When using an existing outlet box, be sure the box is securely attached to the building structure and can support the full weight of the fan. Failure to do so can result in serious injury or death.



a.) Downrod Mount (Normal Ceilings)

b.) Angle Mount (Vaulted Ceilings)

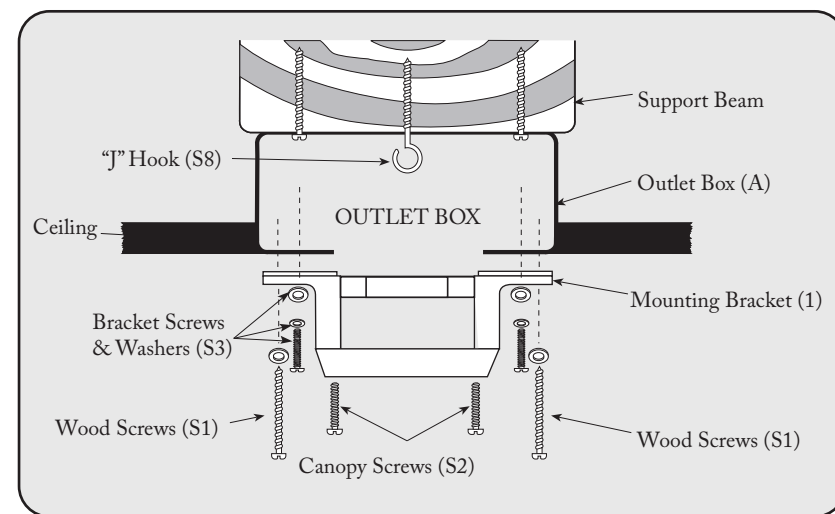
**IMPORTANT:** If using the angle mount method, check to make sure the ceiling angle is not steeper than 35°. Angles greater than 35° will require a 45° angle adapter.



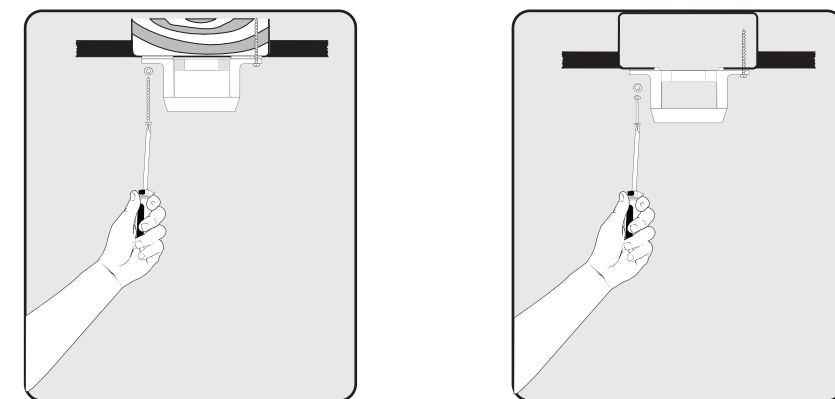
- Check to make sure blades are at least 30" from any obstruction.
- Check Down rod Length to make sure blades are at least 7" above the floor.

4

## Installing Mounting Bracket



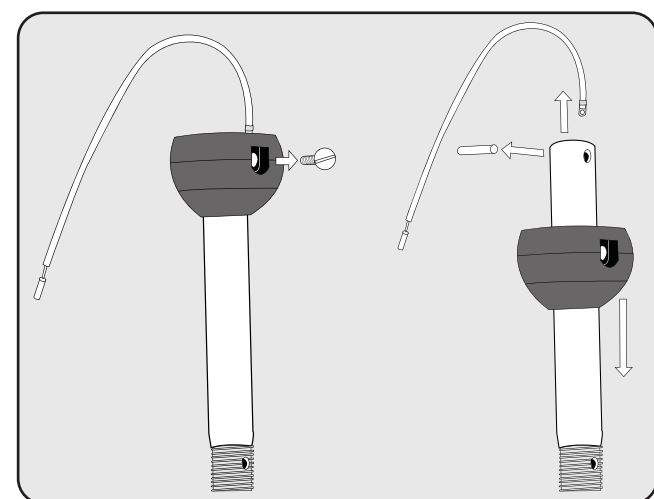
**NOTE:** Do not mount directly to sheet rock or ceiling tile.



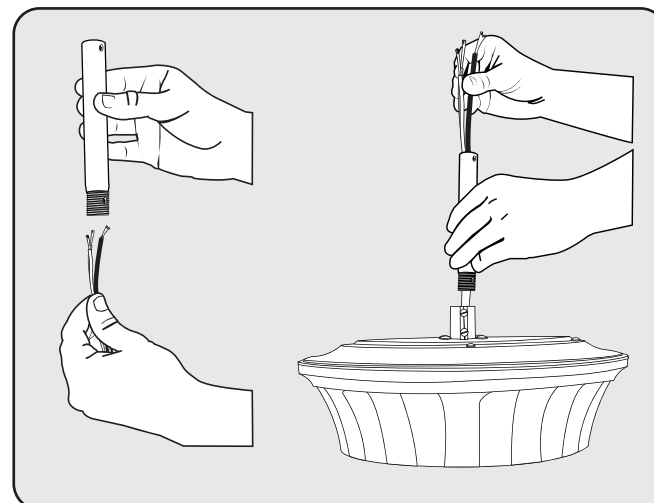
Prior to securing mounting bracket, screw "J" hook (S8) into ceiling outlet box as a secondary support means. Secure mounting bracket (#1) to the outlet box (A) by tightening bracket screws & washers (S3) as shown. If not mounting to an outlet box, use wood screws (S1) and washers (S3) and mount securely to ceiling beam. Be sure at this point to insert canopy screws (S2) in bracket.

5

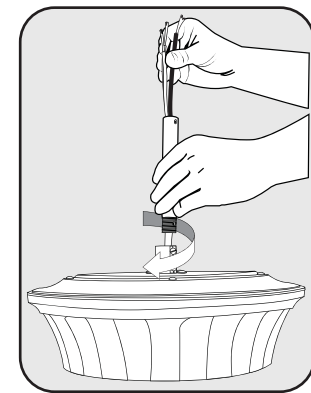
## Downrod Assembly



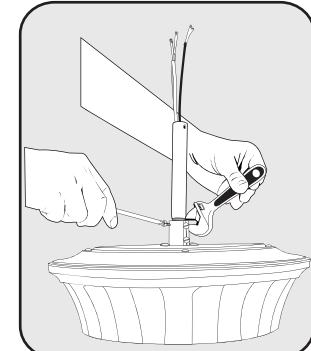
Locate downrod assembly (#2). Loosen ball screw on black hanging ball to free lock pin. Black hanging ball will slide down. Remove ground screw and green ground wire. Remove hanging ball from downrod and save all parts. Insert fan wires through downrod.



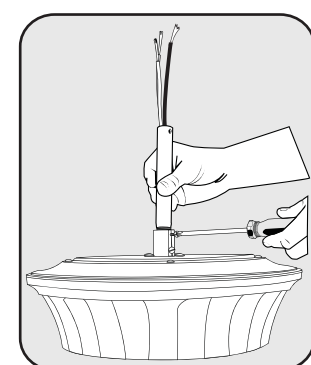
6



Thread the downrod onto the motor housing making sure the wires don't get twisted.

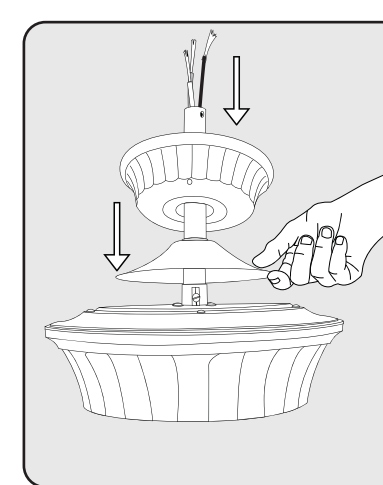


Insert safety bolt (S7) through flange & downrod and attach nut. Tighten firmly.



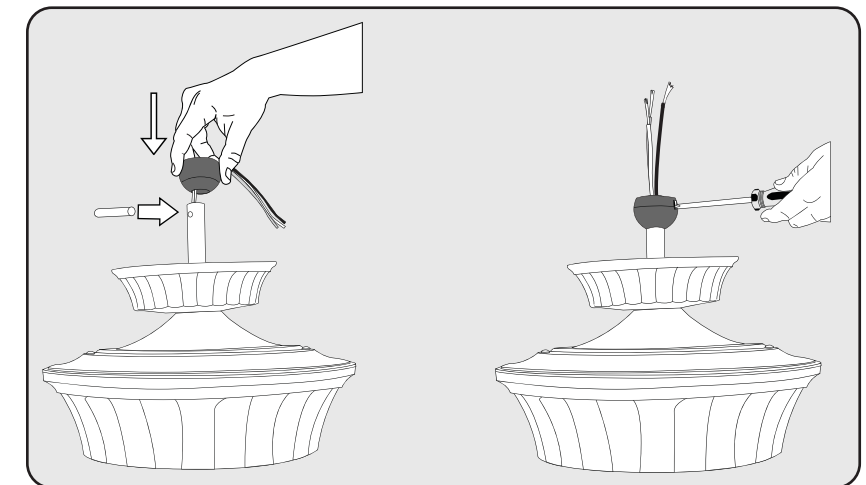
Tighten set screw (A) against downrod.

7



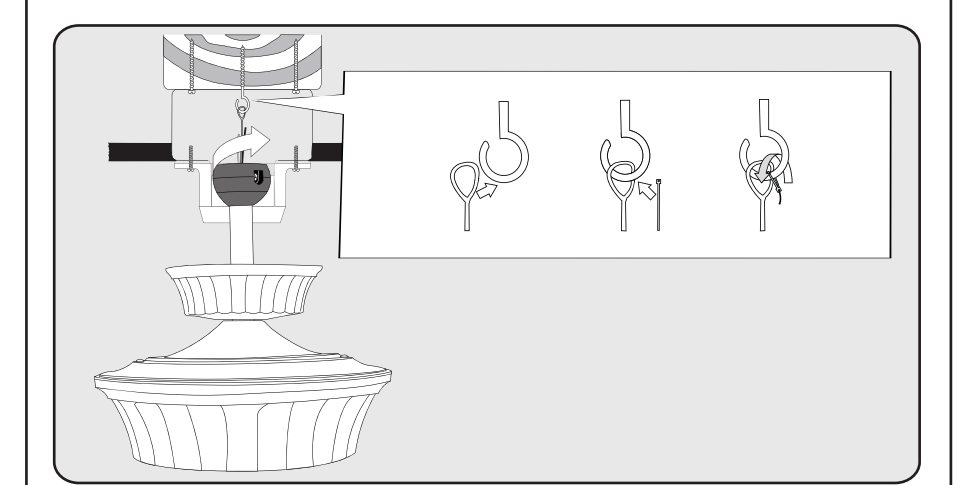
Place flange cover (4) over downrod assembly. Place canopy (3) over downrod (2).

**WARNING:** Failure to completely tighten downrod as described in steps above could result in the fan loosening and possibly falling.



Replace hanging ball, insert hanging pin through downrod and tighten set screw "C" in hanging ball into downrod.

8

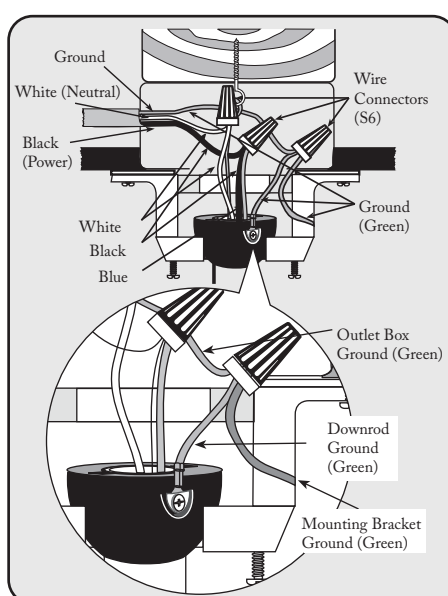


Lift fan onto the mounting bracket (#1). Turn housing until hanging ball seats itself into ball socket (listen for click).

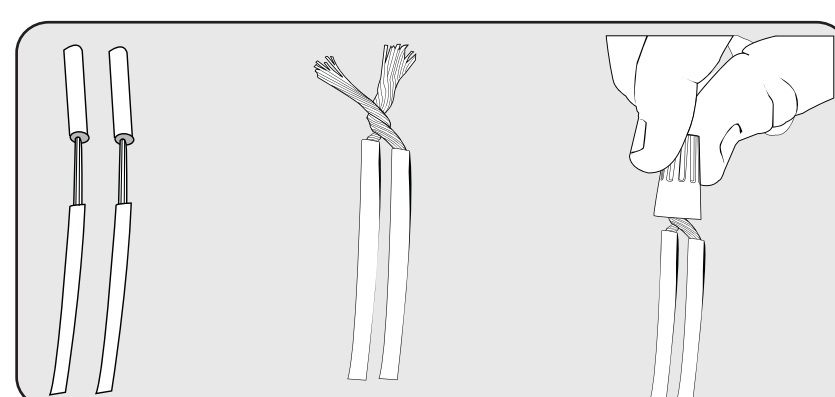
For added security, attach safety cable from fan unit to "J" hook (S8) in outlet box. Secure by looping zip tie (S9) through safety cable and "J" hook. Tighten zip tie securely.

**WARNING:** To reduce the risk of fire, electric shock or personal injury, mount to outlet box marked "acceptable for fan support" and use mounting screws provided with the outlet box. Most outlet boxes commonly used for the support of lighting fixtures are not acceptable for fan support and may need to be replaced. Consult a qualified electrician if in doubt.

9

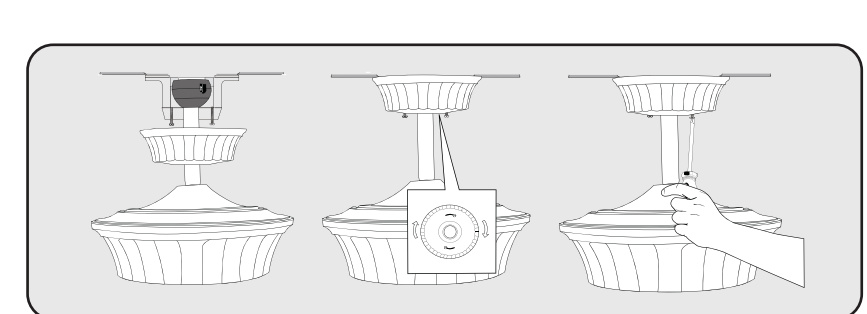


- Connect fan wires to ceiling wires: white fan wire to white outlet wire, black to black and green to green. Wire connectors (S6) are provided for your convenience. If an additional blue wire is present then also connect the blue wire to the black wire. (Optional light kit may be wired to individual wall switches, if desired.)
- After connections are made, turn splices upward and push carefully into outlet box. Separate blue and black wires on one side of the box, and white and green wires on the other side.

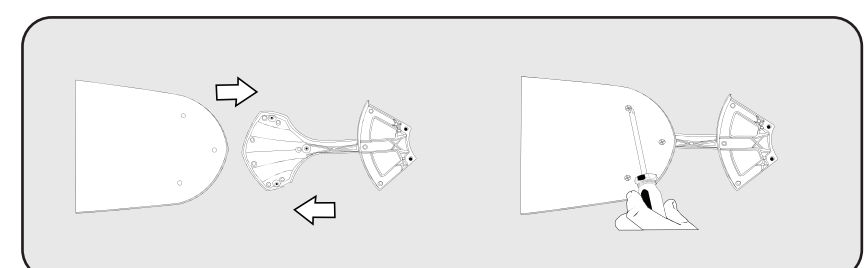


There are 4 colored wires coming from the top of the motor (including ground wire).

10

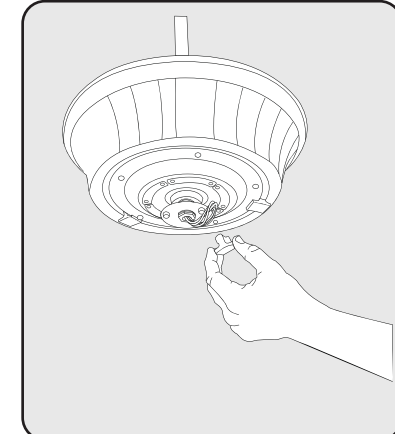


Attach canopy (3) to the mounting bracket by placing screws (S2) into slot in canopy. Twist clockwise to lock into place. Tighten screws firmly.

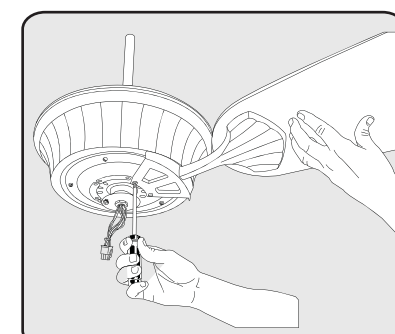


Assemble blade arm and blade and insert into Fan Housing. A slot (as shown in Step 10) allows you to tighten the blade assembly to the Fan Housing. Rotate slot to secure all five blade assemblies. Tighten securely.

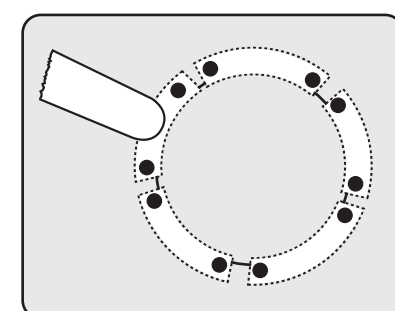
11



Remove rubber shipping grommets before attaching blade assembly.

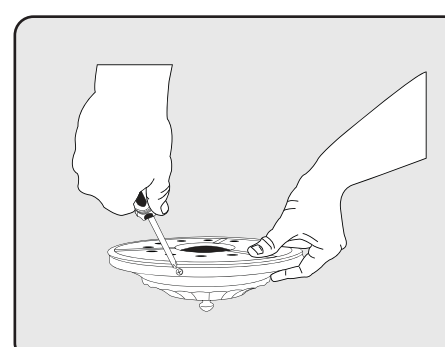


For blade assembly, position slot on fan motor housing so that you can access the screws

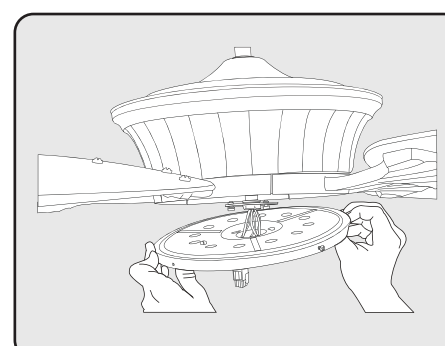


Using motor screws (S5) provided, line up holes from the blade arm with the holes in the motor housing. Tighten screws securely.

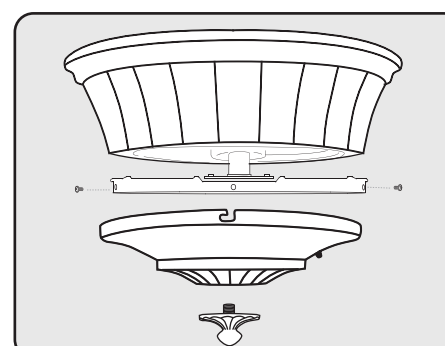
12



Remove switch housing plate cover by unscrewing the two set screws and twisting the unit to release the locking screws.



Position the switch housing plate on the motor housing and thread wires through the center and attach securely using supplied screws.



Attach switch housing body to switch housing plate and motor housing.

13

## Trouble Shooting

### Problem A: Fan Will not Start

#### Remedies:

- Check fuse or circuit breaker and replace if necessary
- Turn off electrical power and check all wire connectors.
- Check on/off/TCS and wall control selector switch. See operation instructions.

### Problem B: Fan is Excessively Noisy

#### Remedies:

- Check that all screws in fan assembly are tight and properly seated.
- Check that all blade holders are screwed firmly into motor.
- Check to make sure light kit and glass reinstalled properly and tight.
- If wall control is used, insure the wall control is not a transformer or a variable speed type.

### Problem C: Fan Wobbles

#### Remedies:

- Check that all blades are screwed firmly into blade holders.
- Check that all blade holders are screwed firmly into motor.
- Check the weight of blades. All our blades are weighed on electronic scales. The weight is marked on the reverse side of the fan blade near the motor end. All of the blades should be the same weight to prevent fan from wobbling.
- A balancing kit is enclosed if needed.